

ACDEU



VARIOUS PATENTS APPLY

Priming Assisted Centrifugal Pump

Model PA6C60-B-E50 460/3

Size 6" x 6"



Total Head		Capacity of Pump in U.S. Gallons per Minute (GPM) at Continuous Performance		
P.S.I.	Feet			
46.8	108	440	440	440
43.4	100	840	840	840
39.0	90	1020	1140	1140
34.7	80	1100	1390	1390
30.3	70	1130	1510	1600
26.0	60	1135	1525	1750
21.7	50	1140	1535	1800
17.4	40	1140	1530	1800
13.0	30	1140	1530	1800
8.7	20	1140	1535	1800
Suction Lift		25'	20'	15'



SHOWN WITH OPTIONAL NPT
SUCTION AND DISCHARGE FLANGES



PUMP SPECIFICATIONS

Size: 6" x 6" (152 mm x 152 mm) Flanged.

Casing: Ductile Iron 65-45-12.

Maximum Operating Pressure 78 psi (538 kPa).*

Semi-Open Type, Two Vane Impeller: Ductile Iron 65-45-12.

Handles 3" (76,2 mm) Diameter Spherical Solids.

Impeller Shaft: Stainless Steel 17-4 PH.

Replaceable Wear Plate: Ductile Iron 80-60-03.

Removeable Cleanout Cover Plate: Carbon Steel 1015.

Drive Flange: Gray Iron 30.

Seal Plate: Gray Iron 30.

Seal: Mechanical, Oil-Lubricated. Silicon Carbide Rotating and Stationary Faces. Stainless Steel 316 Stationary Seat. Fluorocarbon Elastomers (DuPont Viton® or Equivalent). Stainless Steel 18-8 Cage and Spring. Maximum Temperature of Liquid Pumped, 160°F (71°C).*

Shaft Sleeve: Stainless Steel 17-4 PH.

Priming Chamber: Gray Iron 30.

Discharge Check Valve: Gray Iron 30 Housing w/Buna-N Flapper.

Radial/Thrust Bearings: Open Double Ball.

Bearing and Seal Cavity Lubrication: SAE 30 Non-Detergent Oil.

Flanges: Gray Iron 30.

Gaskets: Resistant Synthetic Rubber, Vegetable Fiber and Buna-N.

O-Rings: Buna-N.

Hardware: Standard Plated Steel.

Bearing and Seal Cavity Oil Level Sight Gauges.

*Consult Factory for Applications Exceeding Maximum Pressure and/or Temperature Indicated.

Standard Equipment: Hoisting Bail. Belt Driven Air Compressor. Skid Base. Strainer.

Optional Equipment: NPT Suction/Discharge Flanges. Single Ball Type Float Switch.** EPS w/Submersible Transducer Liquid Level Sensor (50 Ft [15 M] Cable Standard, Alternate Lengths Available).

**50 Ft. (15 m) Standard Length; Dual Switches and Alternate Cable Lengths Available From the Factory.

MOTOR SPECIFICATIONS †

Type: Totally Enclosed Fan Cooled.

Frame Size: 326T.

Power: 50 H.P. (37,3 kW).

Voltage/Phase: 460/3.

Hz: 60.

S.F. 1.25.

Speed: 1800 RPM Nominal.

Full Load Amps: 57.

Locked Rotor kVA Code: G.

Bearings: Ball Type.

CONTROL SPECIFICATIONS

NEMA Type 3R Intrinsically Safe Rain and Sleet (Ice) Resistant Enclosure. Carbon Steel with ANSI 61 Powder Coat. Manual ON/OFF Control with Across-The-Line Starter. 3 Pole Instantaneous Trip 100 Amp Circuit Breaker Type HMCP.

† Standard Specifications Shown. Alternate Motors Available - Consult Factory.



THE GORMAN-RUPP COMPANY • MANSFIELD, OHIO

GORMAN-RUPP OF CANADA LIMITED • ST. THOMAS, ONTARIO, CANADA

www.grpumps.com

Specifications Subject to Change Without Notice

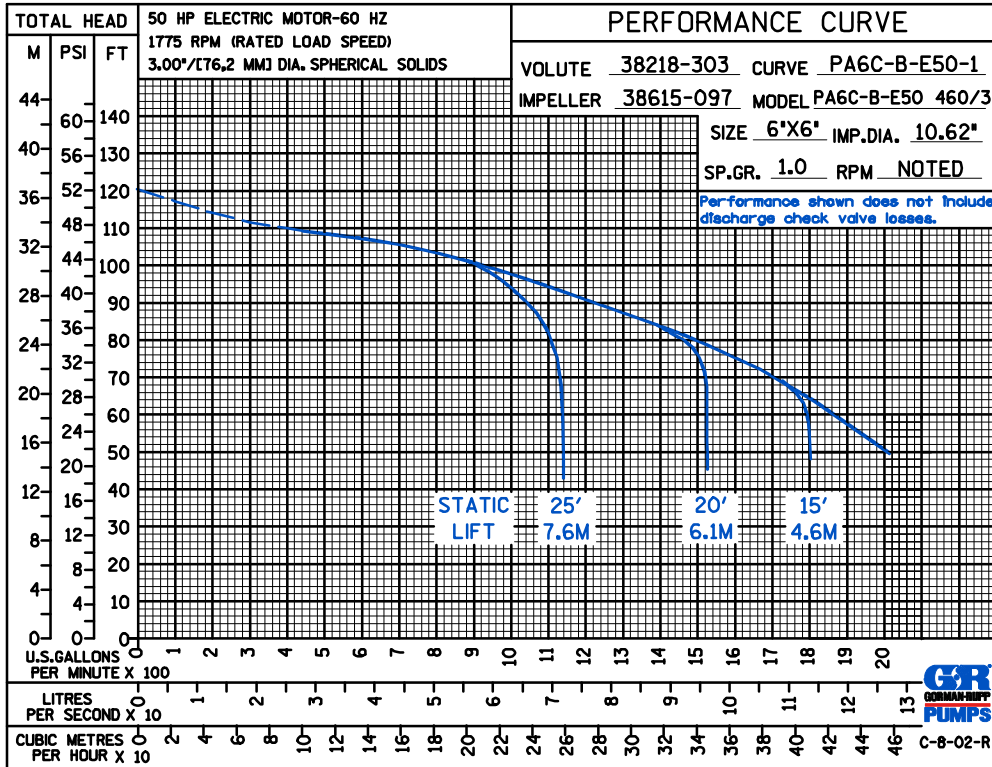
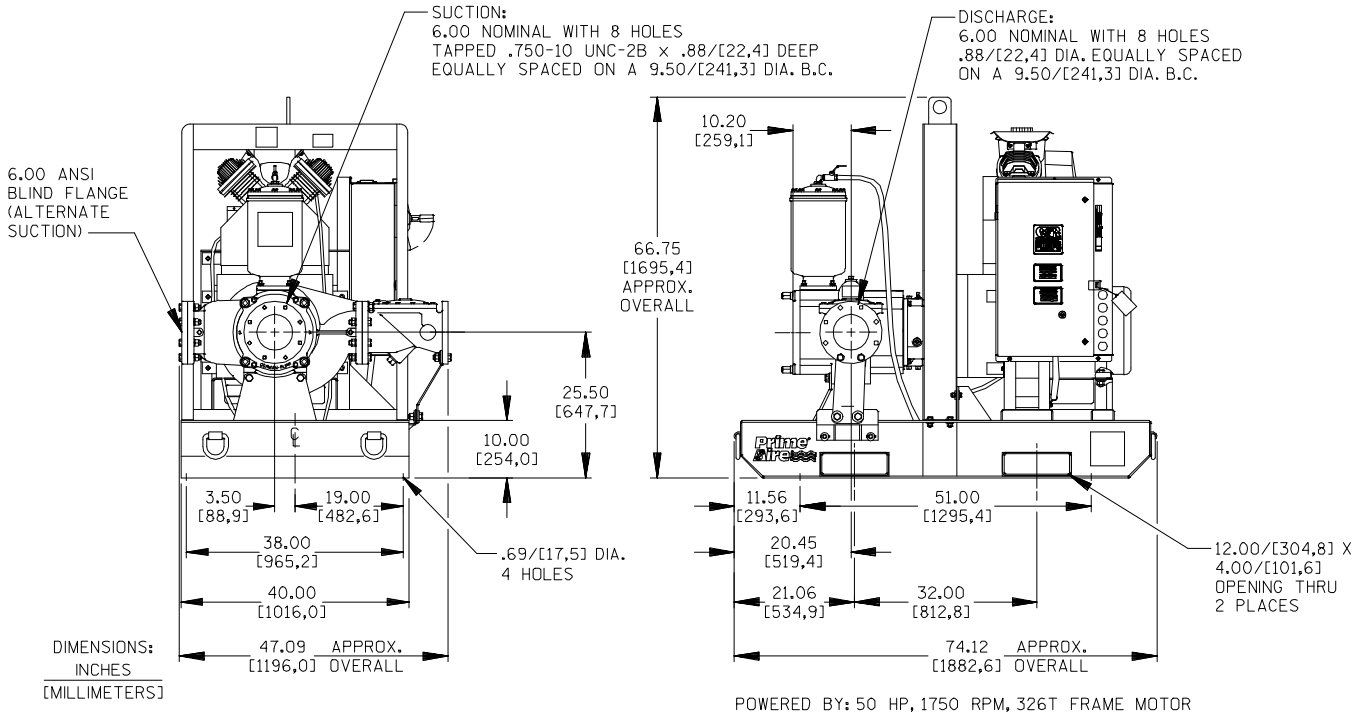
Printed in U.S.A.

Specification Data

SECTION 42, PAGE 600

APPROXIMATE DIMENSIONS and WEIGHTS

SKID BASE
NET WEIGHT: 3310 LBS. (1501 KG.)
SHIPPING WEIGHT: 3460 LBS. (1569 KG.)
EXPORT CRATE SIZE: 247 CU. FT. (7 CU. M.)



THE GORMAN-RUPP COMPANY • MANSFIELD, OHIO

GORMAN-RUPP OF CANADA LIMITED • ST. THOMAS, ONTARIO, CANADA

Specifications Subject to Change Without Notice

Printed in U.S.A.